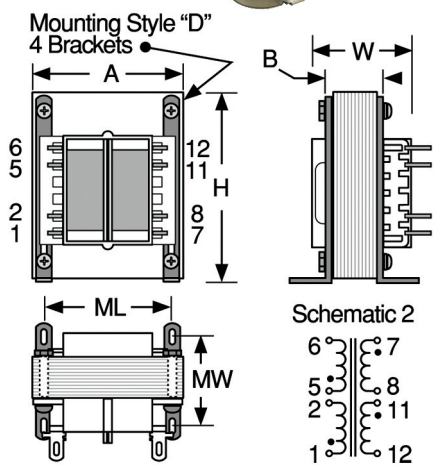
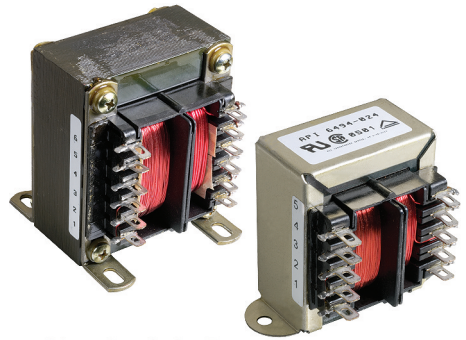
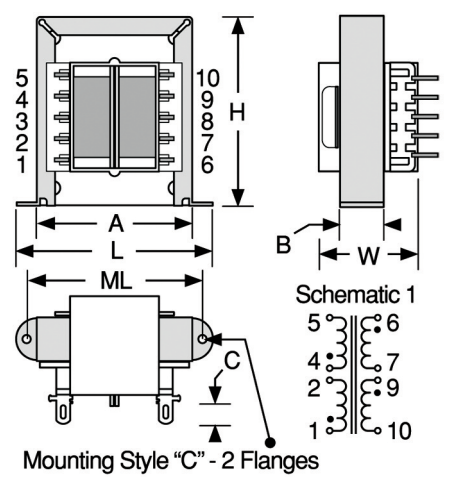


# SERIES

**6494R-6498R**  
**6494-6498**



## VDE Quick Connect Transformers



PART NUMBER	SECONDARY VOLTAGE	SECONDARY CURRENT	CONNECTION		PARALLEL CONNECTION		MOUNTING STYLE	
	VA	PRIMARY VOLTAGE	SERIES	PARALLEL	SERIES	PARALLEL	SCHEMATIC	
6494-010	25	115/130	10.0	5.0	2.50	5.00	1	C
6494-012	25	115/230	12.6	6.3	2.00	4.00	1	C
6494-016	25	115/230	16.0	8.0	1.60	3.20	1	C
6494-020	25	115/230	20.0	10.0	1.25	2.50	1	C
6494-024	25	115/230	24.0	12.0	1.00	2.00	1	C
6494-028	25	115/230	28.0	14.0	0.90	1.86	1	C
6494-036	25	115/230	36.0	18.0	0.70	1.40	1	C
6494-230	25	115/230	230.0	115.0	0.11	0.22	1	C
6495-010	43	115/230	10.0	5.0	4.30	8.60	1	C
6495-012	43	115/230	12.6	6.3	3.40	6.80	1	C
6495-016	43	115/230	16.0	8.0	2.70	5.40	1	C
6495-020	43	115/230	20.0	10.0	2.20	4.40	1	C
6495-024	43	115/230	24.0	12.0	1.80	3.60	1	C
6495-028	43	115/230	28.0	14.0	1.50	3.00	1	C
6495-036	43	115/230	36.0	18.0	1.20	2.40	1	C
6495-230	43	115/230	230.0	115.0	0.19	0.38	1	C
6496-010	80	115/230	10.0	5.0	8.00	16.00	2	D
6496-012	80	115/230	12.6	6.3	6.30	12.60	2	D
6496-016	80	115/230	16.0	8.0	5.00	10.00	2	D
6496-020	80	115/230	20.0	10.0	4.00	8.00	2	D
6496-024	80	115/230	24.0	12.0	3.30	6.60	2	D
6496-028	80	115/230	28.0	14.0	2.80	5.60	2	D
6496-036	80	115/230	36.0	18.0	2.20	4.40	2	D
6496-230	80	115/230	230.0	115.0	0.35	0.70	2	D
6497-010	130	115/230	10.0	5.0	13.00	26.00	2	D
6497-012	130	115/230	12.6	6.3	10.30	20.60	2	D
6497-016	130	115/230	16.0	8.0	8.10	16.20	2	D
6497-020	130	115/230	20.0	10.0	6.50	13.00	2	D
6497-024	130	115/230	24.0	12.0	5.40	10.80	2	D
6497-028	130	115/230	28.0	14.0	4.60	9.20	2	D
6497-036	130	115/230	36.0	18.0	3.60	7.20	2	D
6497-230	130	115/230	230.0	115.0	0.57	1.14	2	D
6498-010	175	115/230	10.0	5.0	17.50	35.00	2	D
6498-012	175	115/230	12.6	6.3	14.00	28.00	2	D
6498-016	175	115/230	16.0	8.0	11.00	22.00	2	D
6498-020	175	115/230	20.0	10.0	8.80	17.60	2	D
6498-024	175	115/230	24.0	12.0	7.30	14.60	2	D
6498-028	175	115/230	28.0	14.0	6.25	12.50	2	D
6498-036	175	115/230	36.0	18.0	4.80	9.60	2	D
6498-230	175	115/230	230.0	115.0	0.76	1.52	2	D

\*Complete part # must include series # PLUS the dash #  
For surface finish information, refer to [www.delevanfinishes.com](http://www.delevanfinishes.com)

**UL Certified** Recognized component Underwriters Labs, Inc®; CSA Labeled  
**Primary Voltage** Available in either 115V or dual 115/230V  
**Operating Frequency** 50/60 Hz  
**Operating Temperature** 130°C  
 4000 V RMS Hipot  
 Split bobbin non-concentric winding  
 Designed to pass VDE creepage distance  
**Note** Dots on schematic indicate like polarity

	Physical Parameters & Mounting Information														Screw size	# Terminals						
	L		W		H		A		B		C		Pin width (sq.)				MW		ML		Weight	
	in.	mm	in.	mm	in.	mm	in.	mm	in.	mm	in.	mm	in.	mm			in.	mm	in.	mm	lbs.	kg
6494	2.81	71.44	1.88	47.63	2.31	58.74	2.00	50.80	1.13	28.58	0.31	7.94	0.19	4.763	—	—	2.38	60.33	1.25	0.567	6	10
6495	3.13	79.38	2.06	52.39	2.69	68.26	2.25	57.15	1.13	28.58	0.19	4.76	0.81	20.64	—	—	2.81	71.44	1.60	0.726	6	10
6496	2.50	63.50	2.38	60.33	3.00	76.20	—	—	1.38	34.93	0.31	7.94	0.19	4.763	2.19	55.56	2.00	50.80	2.80	1.270	6	12
6497	2.81	71.44	2.88	73.03	3.38	85.73	—	—	1.63	41.28	0.38	9.53	0.25	6.350	2.50	63.50	2.25	57.15	4.10	1.860	8	12
6498	3.13	79.38	2.88	73.03	3.75	95.25	—	—	1.63	41.28	0.38	9.53	0.25	6.350	2.50	63.50	2.50	63.50	5.50	2.494	8	12